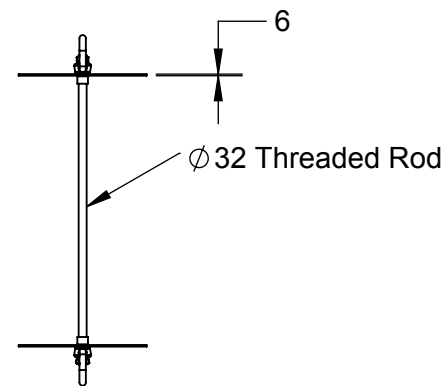
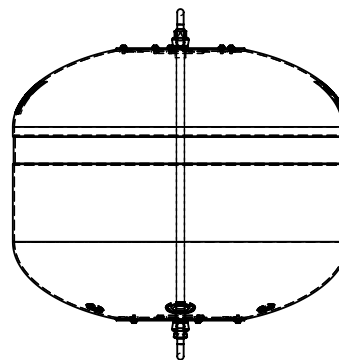
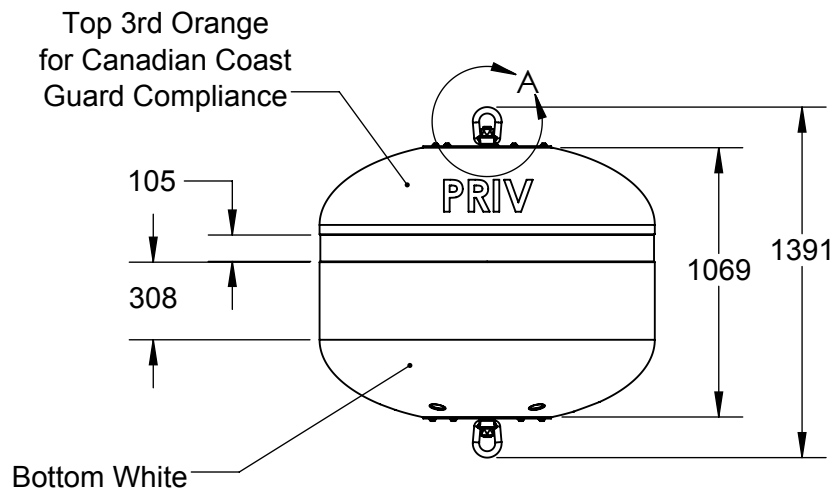
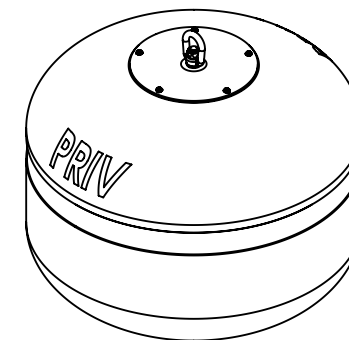


DETAIL A
 SCALE 1 : 15



Notes:

1. Total Displacement Approximately 1200 Litres
2. EPS Foam Filled

PROPRIETARY AND CONFIDENTIAL
 THE INFORMATION CONTAINED IN THIS DRAWING IS THE SOLE PROPERTY OF
 NORTHWEST PLASTICS LTD. ANY REPRODUCTION IN PART OR AS A WHOLE
 WITHOUT THE WRITTEN PERMISSION OF NORTHWEST PLASTICS LTD IS PROHIBITED.

	DRAWN BY	DATE	MB 133 STANDARD ASSEMBLY W/ PRIVATE LABEL
	TK	08/22/16	
200 - 1605 Industrial Ave. Port Coquitlam, BC V3C 6M9 (604) 552-9734	DIMENSIONS ARE IN MILLIMETERS		SIZE A
DO NOT SCALE DRAWING	TOLERANCES: +/- 1.5%		DWG. NO. TK-018-001
	SCALE:1:30		SHEET 1 OF 1