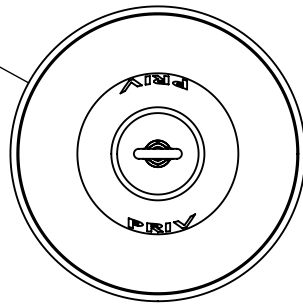
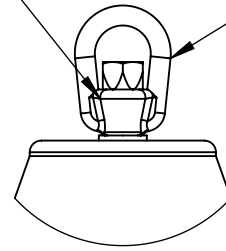


Ø 468

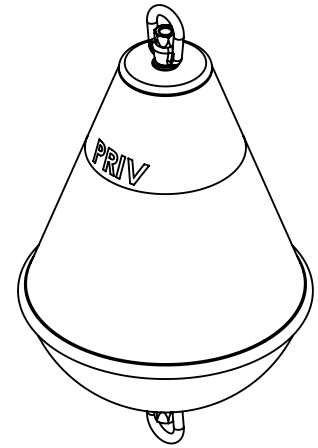


Locking Nut
Welded In Place
Both Ends

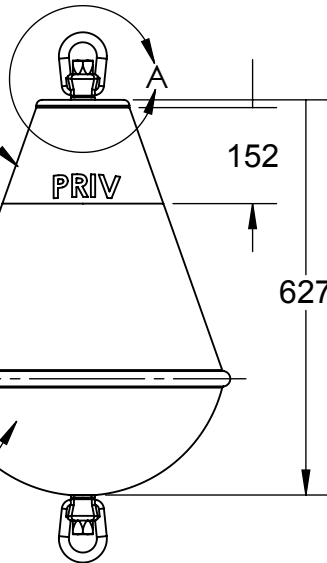


Swivel Eye Nut
Both Ends

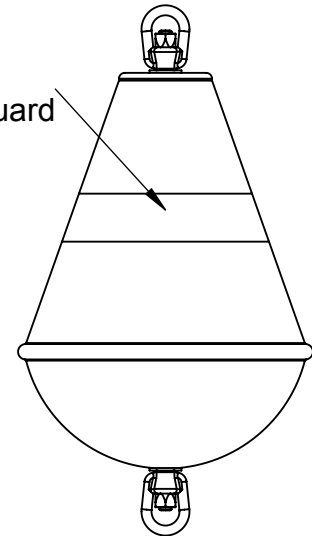
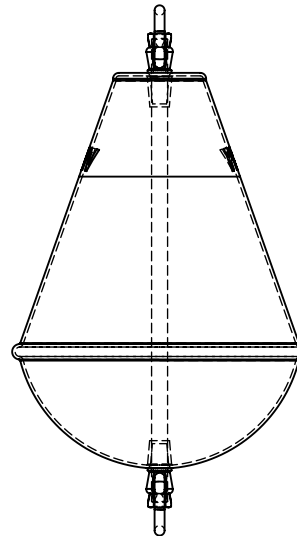
DETAIL A
SCALE 1 : 6



Top 3rd Orange
for Canadian Coast
Guard Compliance



Optional Blue
Stripe for
U.S. Coast Guard
Compliance



Notes:

1. Total Displacement Approximately 51 Litres
2. EPS Foam Filled

PROPRIETARY AND CONFIDENTIAL

THE INFORMATION CONTAINED IN THIS DRAWING IS THE SOLE PROPERTY OF NORTHWEST PLASTICS LTD. ANY REPRODUCTION IN PART OR AS A WHOLE WITHOUT THE WRITTEN PERMISSION OF NORTHWEST PLASTICS LTD IS PROHIBITED.



200 - 1605 Industrial Ave.
Port Coquitlam, BC V3C 6M9
(604) 552-9734

DO NOT SCALE DRAWING

DRAWN BY: TK
DATE: 09/07/16

DIMENSIONS ARE IN MILLIMETERS

TOLERANCES:
+/- 1.5%

MB 45 STANDARD ASSEMBLY

SIZE: A DWG. NO.: TK-043-001

SCALE: 1:12

SHEET 1 OF 1