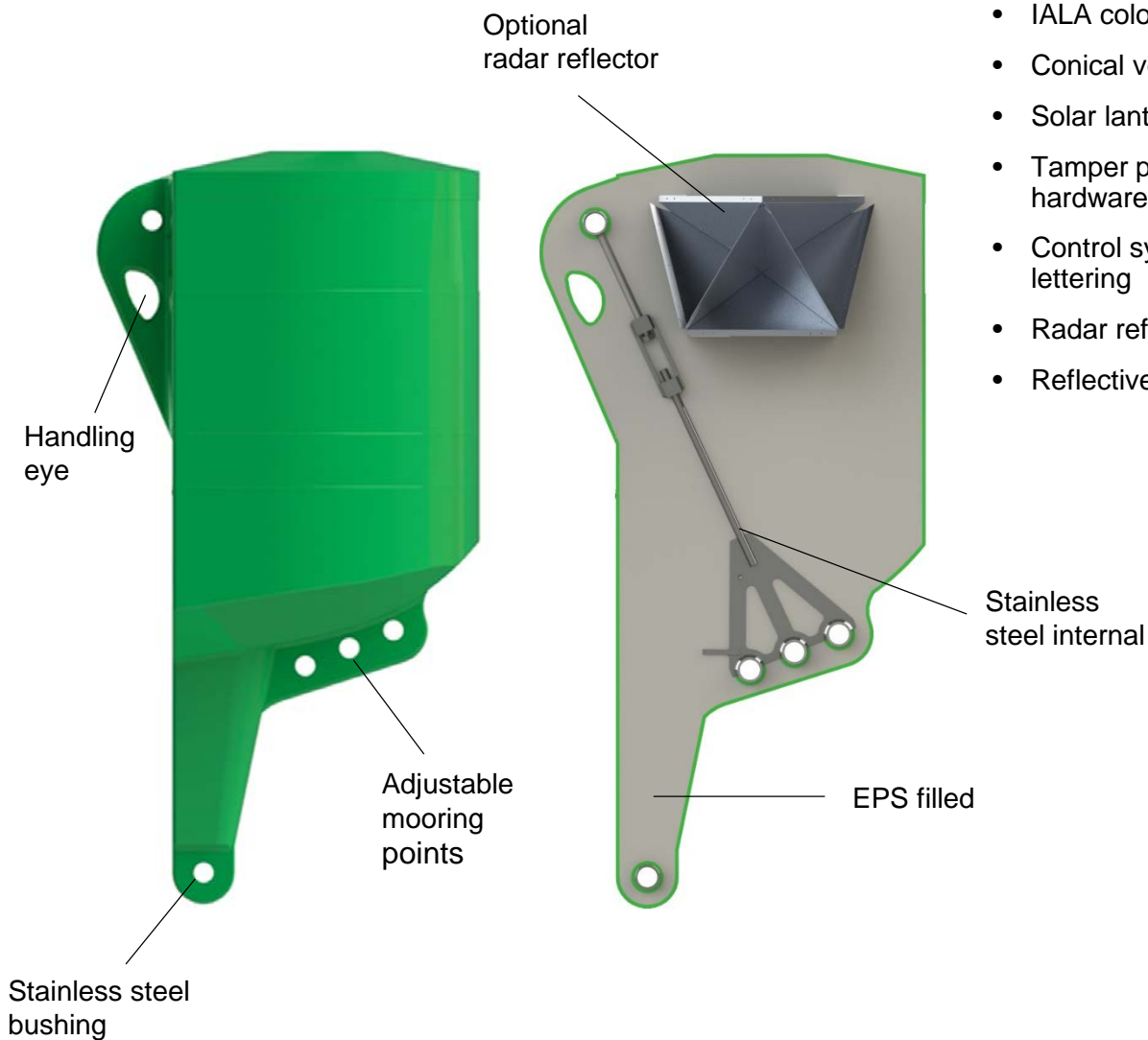


## FEATURES & BENEFITS

- Designed to meet the stringent requirements of the Canadian Coast Guard
- High quality, UV20+ stabilized polyethylene with uniform wall thickness ensures a robust life expectancy of 20+ years
- Superior stability in fast flowing currents
- Seamless one-piece construction provides a watertight product
- Low temperature impact resistance expands suitability for harsh environments
- Refined EPS foaming process with over 30 years of experience significantly reduces risk of sinking and environmental contamination
- Free of internal voids prevents significant water ingress and produces superior structural integrity

### Optional Features:

- IALA colours & markings
- Conical version
- Solar lantern
- Tamper proof attachment hardware
- Control symbols & lettering
- Radar reflector
- Reflective tape



Note: actual radar reflector may differ from the radar reflector shown in the renderings.

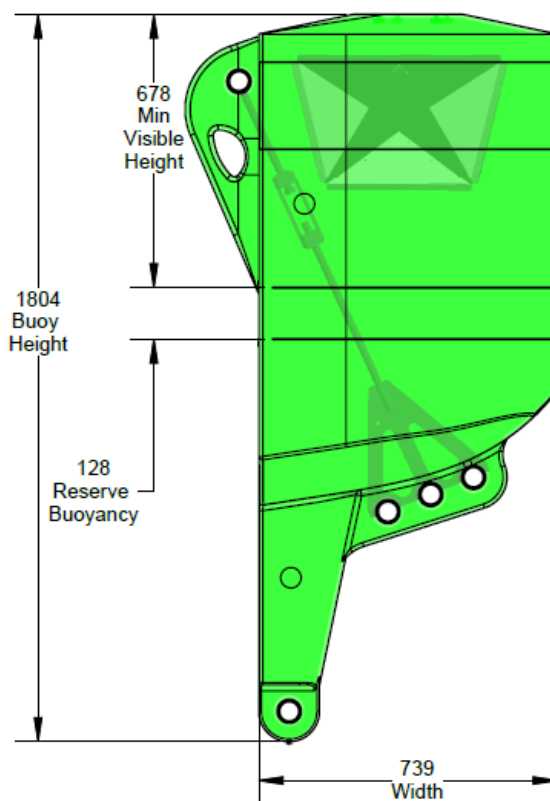
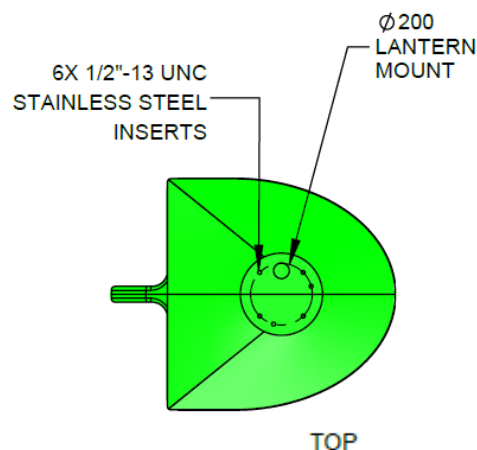
Buoy Construction	
Hull	Polyethylene
Surface Finish	High Gloss
Foam Fill	16 kg/m <sup>3</sup> Polystyrene
Retroreflective Area	Yes
Optional Radar Reflector	NPL RR20
Life Expectancy	20+ Years
Warranty Period (Extensions available for purchase)	3 Years

General Specifications	
Overall Height	180.4 cm / 71"
Hull Diameter	75.0 cm / 29.5"
Tower Section Diameter	n/a
Air-Weight	50.0 kg / 110.2 lbs
Operational Reserve Buoyancy	12.8 cm / 60 kg - 5" / 132.2 lbs
Mooring Eye Internal Diameter	5.1 cm / 2"
Mooring Eye Width	5.1 cm / 2"
Lifting Eye Internal Diameter	5.1 cm / 2"
Retroreflective Area	21.4 cm / 8.4"
Submergence	4.695 kg/cm - 4.075 in/lbs

Performance Specifications	
Min Visible Height / Min Focal Plane Height	67.8 cm / 26.7"
Visual Range	4.9 NM
Max Operational Buoy Tilt Angle (10m Depth)	High Stability
Max Operational Buoy Tilt Angle (22.5m Depth)	High Stability
Min Mooring Load	100 kg / 220.5 lbs
Max Mooring Load	150 kg / 330.7 lbs
Optional Radar Cross Sectional Area	32 m <sup>2</sup> / 344.5 sq. ft.

Environmental Conditions	
Air Temperature	-2 C / 28.4 F to +50 C / +122 F
Water Temperature	-40 C / -40 F to +40 C / 104 F
Operational Wind Speed	0 to 40 knots
Survival Wind Speed	80 knots
Operational Current Speed	0 - 4.0 knots
Survival Current Speed	10.0 knots
Exposure to Ice	Light

Material Specifications	
Buoy Shell	Rotationally Moulded Compounded Polyethylene with UV20+ Protection Package
Load Bearing Internal Linking the Mooring Eye to the Lifting Eye	Stainless Steel
Lifting Break Load	15,921 kg / 35,100 lbs
Foam Fill	Closed Cell Polystyrene Fused In Situ Block with 16 kg/m <sup>3</sup> Density
Colour Options	Standard IALA Colours Available in Accordance with IALA Specification E-108
Fasteners, Bushings and Inserts	Stainless Steel
Mooring and Lifting Attachment Points	Stainless Steel
Internal Ballast	n/a



Note: actual radar reflector offered may differ from the radar reflector shown in drawings/renderings.

All figures are based on pre production CAD drawings and are rounded values. Moulded features are subject to a +/- 1.5% tolerance.