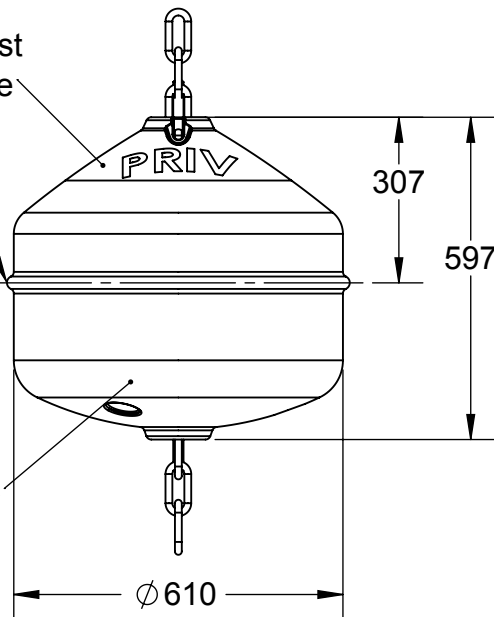


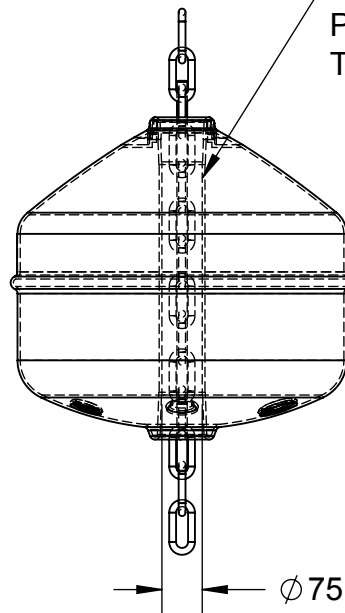
Top 3rd Orange  
for Canadian Coast  
Guard Compliance

Max Intended  
Waterline

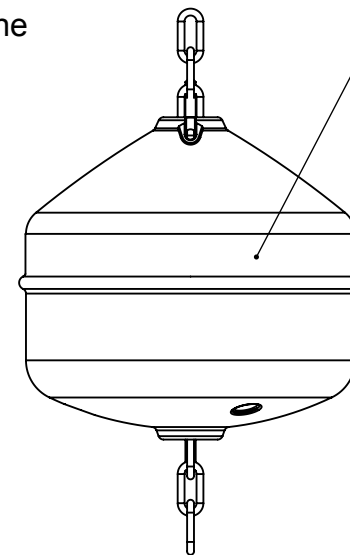
Bottom White



Intergrated  
Polyethylene  
Tube Core



Optional Blue  
Stripe for  
U.S. Coast Guard  
Compliance



Notes:

1. Total Displacement Approximately 120 Litres
2. EPS Foam Filled



200 - 1605 Industrial Ave.  
Port Coquitlam, BC V3C 6M9  
(604) 552-9734

DO NOT SCALE DRAWING

DRAWN BY	DATE
TK	09/15/16

DIMENSIONS ARE IN  
MILLIMETERS

TOLERANCES:  
+/- 1.5%

MB 61 HAWSER ASSEMBLY

SIZE	DWG. NO.
A	TK-044-002

SCALE:1:14

SHEET 1 OF 1

PROPRIETARY AND CONFIDENTIAL

THE INFORMATION CONTAINED IN THIS DRAWING IS THE SOLE PROPERTY OF  
NORTHWEST PLASTICS LTD. ANY REPRODUCTION IN PART OR AS A WHOLE  
WITHOUT THE WRITTEN PERMISSION OF NORTHWEST PLASTICS LTD IS PROHIBITED.