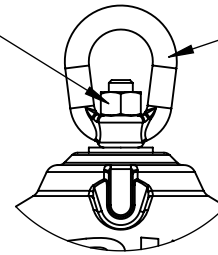
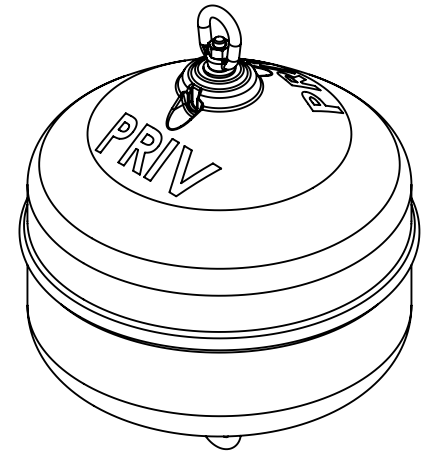


Locking Nut
Welded In Place
Both Ends



Swivel Eye Nut
Both Ends

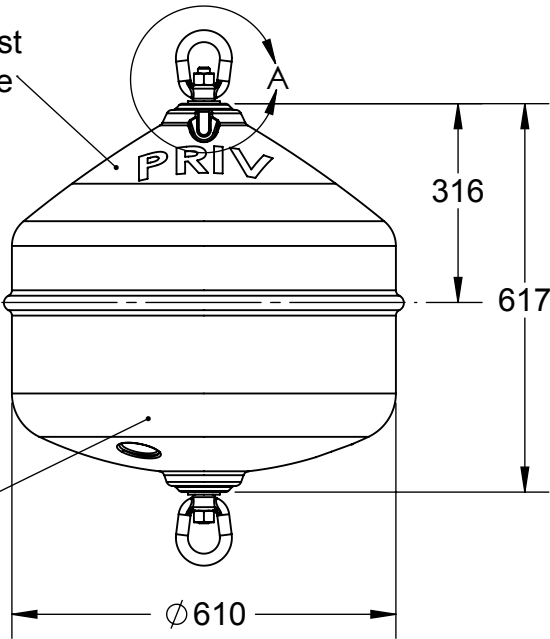
DETAIL A
SCALE 1 : 6



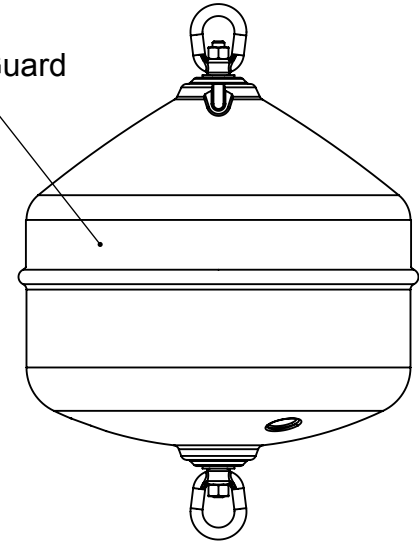
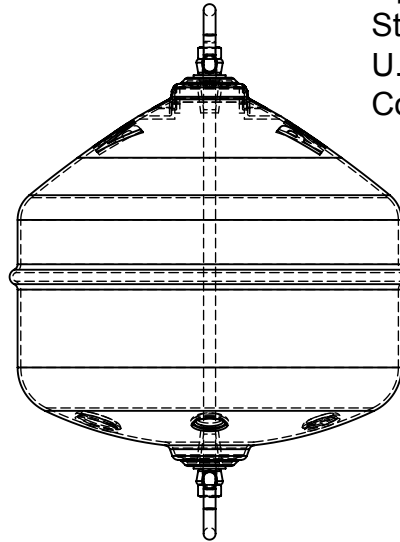
Top 3rd Orange
for Canadian Coast
Guard Compliance

Max Intended
Waterline

Bottom White



Optional Blue
Stripe for
U.S. Coast Guard
Compliance



Notes:

1. Total Displacement Approximately 120 Litres
2. EPS Foam Filled

PROPRIETARY AND CONFIDENTIAL

THE INFORMATION CONTAINED IN THIS DRAWING IS THE SOLE PROPERTY OF NORTHWEST PLASTICS LTD. ANY REPRODUCTION IN PART OR AS A WHOLE WITHOUT THE WRITTEN PERMISSION OF NORTHWEST PLASTICS LTD IS PROHIBITED.



200 - 1605 Industrial Ave.
Port Coquitlam, BC V3C 6M9
(604) 552-9734

DO NOT SCALE DRAWING

DRAWN BY	DATE
TK	09/15/16

DIMENSIONS ARE IN
MILLIMETERS

TOLERANCES:
+/- 1.5%

MB 61 STANDARD ASSEMBLY

SIZE	DWG. NO.
A	TK-044-001

SCALE:1:12

SHEET 1 OF 1