

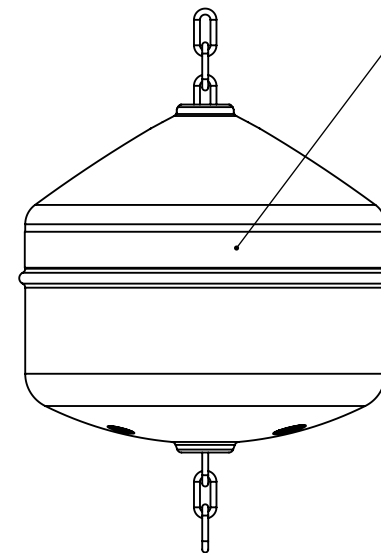
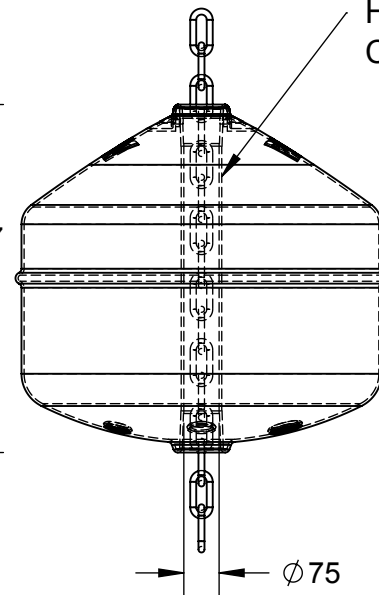
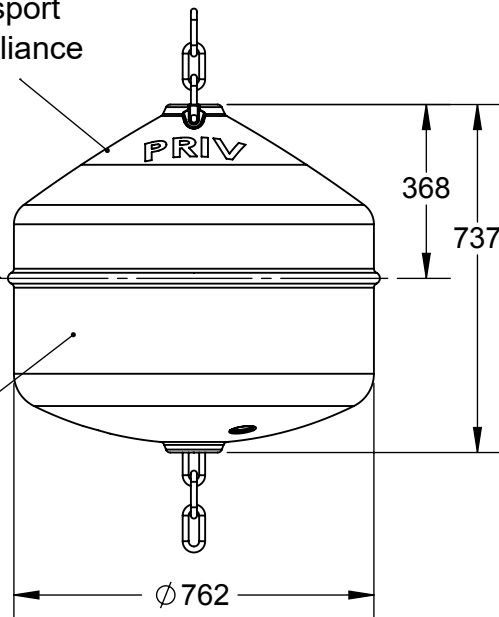
Top 3rd Orange & PRIV for Transport Canada Compliance

Intergrated HDPE Tube Core

Optional Blue Stripe for U.S. Coast Guard Compliance

Max Intended Waterline

Bottom White



Notes:

1. Total Displacement Approximately 237 Litres.
2. EPS Foam Filled.



200 - 1605 Industrial Ave.  
Port Coquitlam, BC V3C 6M9  
(604) 552-9734

DO NOT SCALE DRAWING

DRAWN BY	DATE
TK	09/15/16

DIMENSIONS ARE IN MILLIMETERS

TOLERANCES:  
+/- 1.5%

MB 76 HAWSER ASSEMBLY

SIZE	DWG. NO.
A	TK-045-002

SCALE:1:16

SHEET 1 OF 1

PROPRIETARY AND CONFIDENTIAL

THE INFORMATION CONTAINED IN THIS DRAWING IS THE SOLE PROPERTY OF NORTHWEST PLASTICS LTD. ANY REPRODUCTION IN PART OR AS A WHOLE WITHOUT THE WRITTEN PERMISSION OF NORTHWEST PLASTICS LTD IS PROHIBITED.