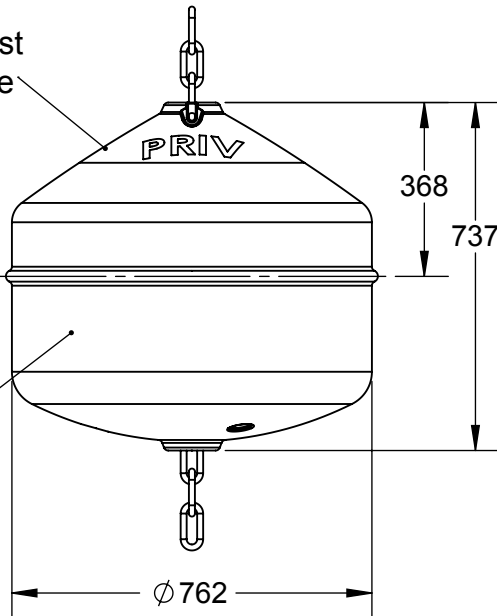


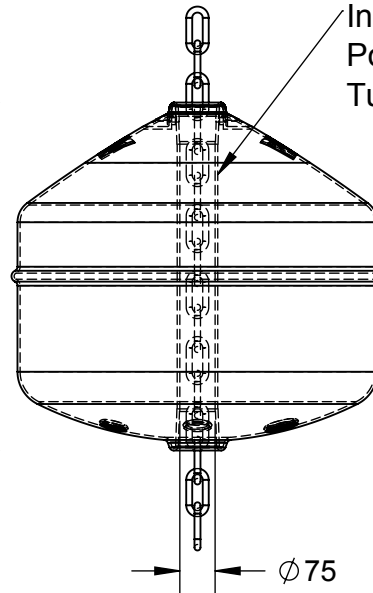
Top 3rd Orange
for Canadian Coast
Guard Compliance

Max Intended
Waterline

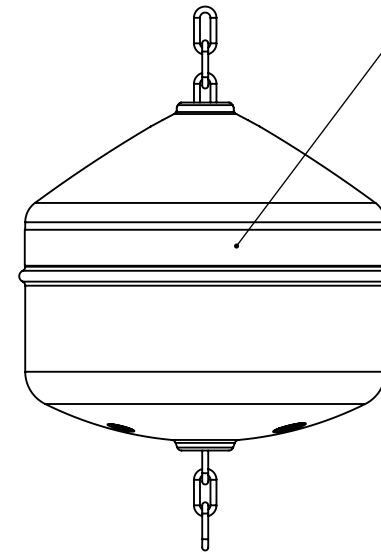
Bottom White



Intergrated
Polyethylene
Tube Core



Optional Blue
Stripe for
U.S. Coast Guard
Compliance



Notes:

1. Total Displacement Approximately 237 Litres.
2. EPS Foam Filled.

PROPRIETARY AND CONFIDENTIAL

THE INFORMATION CONTAINED IN THIS DRAWING IS THE SOLE PROPERTY OF NORTHWEST PLASTICS LTD. ANY REPRODUCTION IN PART OR AS A WHOLE WITHOUT THE WRITTEN PERMISSION OF NORTHWEST PLASTICS LTD IS PROHIBITED.



200 - 1605 Industrial Ave.
Port Coquitlam, BC V3C 6M9
(604) 552-9734

DO NOT SCALE DRAWING

DRAWN BY	DATE
TK	09/15/16

DIMENSIONS ARE IN
MILLIMETERS

TOLERANCES:
+/- 1.5%

MB 76 HAWSER ASSEMBLY

SIZE	DWG. NO.
A	TK-045-002

SCALE:1:16

SHEET 1 OF 1