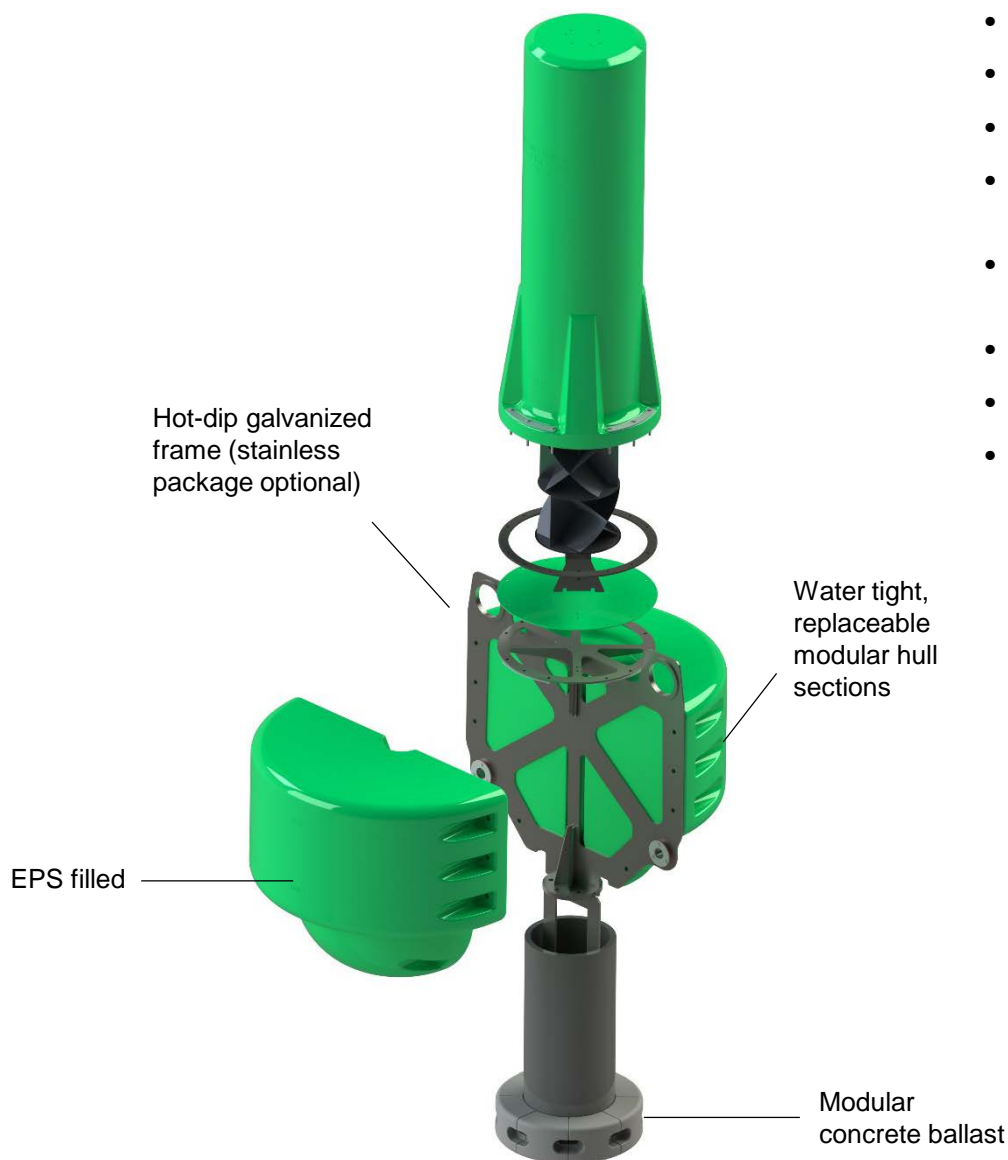


FEATURES & BENEFITS

- Modular construction allows cost-effective replacement of sections when damaged and simplifies end-of-life recycling
- Extremely stable in peak operating conditions
- High quality, UV20+ stabilized polyethylene with uniform wall thickness ensures a robust life expectancy of 20+ years
- Seamless one-piece construction provides a watertight product
- Low temperature impact resistance expands suitability to harsh environments
- Refined EPS foaming process with over 30 years of experience significantly reduces risk of sinking and environmental contamination
- Keel orientation improves ease of transport, maintenance, and deployment
- Free of internal voids prevents significant water ingress and produces superior structural integrity

Optional Features:

- IALA colours & markings
- Conical top
- Solar lantern
- Tamper proof attachment points
- Control symbols & lettering
- Radar reflector
- Reflective tape
- Stainless steel modular lifting and mooring bushings



Note: actual radar reflector may differ from the radar reflector used in the rendering.

Buoy Construction

Hull / Superstructure	Polyethylene
Surface Finish	High Gloss
Foam Fill	16 kg/m ³ Polystyrene
Retroreflective Area	Yes
Optional Radar Reflector	NPL RR20
Life Expectancy	20+ Years
Warranty Period (Extensions available for purchase)	3 Years

General Specifications

Overall Height	445 cm / 175.2"
Hull Diameter	149 cm / 58.7"
Tower Section Diameter	60.9 cm / 24"
Air-Weight	500 kg / 1,102.3 lbs
Operational Reserve Buoyancy	36 cm / 608 kg - 36" / 1,340.4 lbs
Mooring Eye Internal Diameter	5.9 cm / 2.3"
Mooring Eye Width	6.0 cm / 2.4"
Lifting Eye Internal Diameter	15 cm / 5.9"
Retroreflective Area	17 cm / 6.7"

Performance Specifications

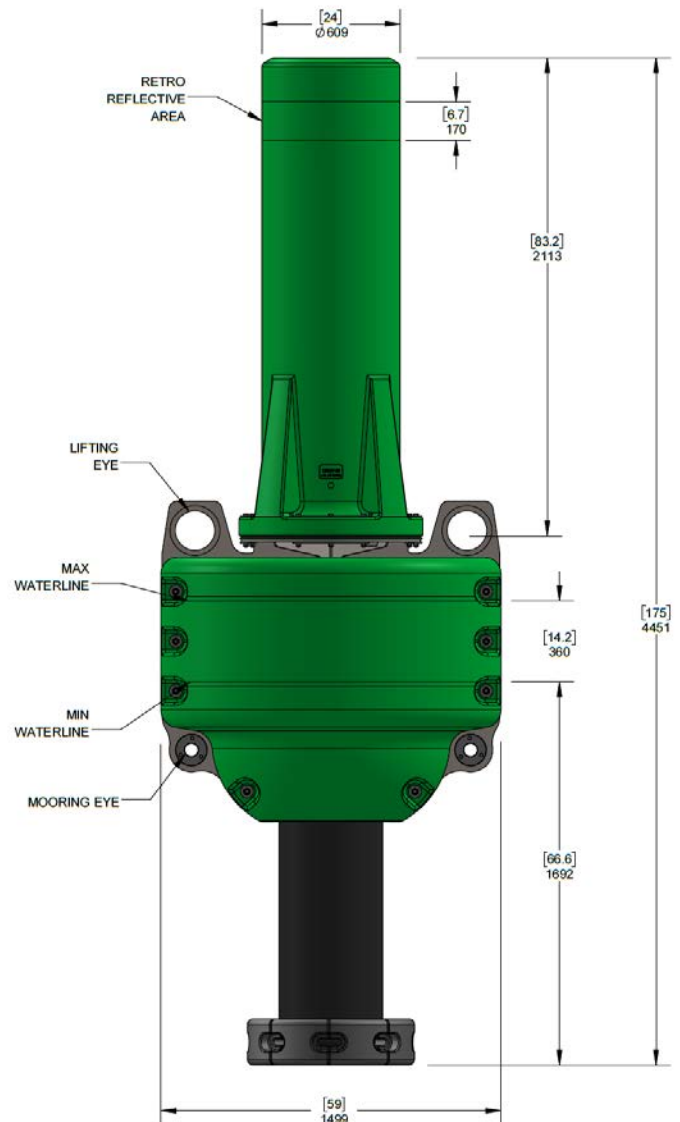
Min Visible Height / Min Focal Plane Height	238 cm / 93.7"
Visual Range	10 NM
Max Operational Buoy Tilt Angle (10m Depth)	< 3 degrees
Max Operational Buoy Tilt Angle (22.5m Depth)	< 3 degrees
Min Mooring Load	200 kg / 440.9 lbs
Max Mooring Load	800 kg / 1,763.7 lbs
Optional Radar Cross Sectional Area	32 m ² / 344.5 sq. ft.

Environmental Conditions

Air Temperature	-2 C / 28.4 F to +50 C / +122 F
Water Temperature	-40 C / -40 F to +40 C / 104 F
Operational Wind Speed	0 to 30 knots
Survival Wind Speed	80 knots
Operational Current Speed	0 - 4.0 knots
Survival Current Speed	10.0 knots
Exposure to Ice	Light
Ice Accumulation	< 20 Kg
Marine Growth - Operational	< 20 Kg

Material Specifications

Buoy Shell	Rotationally Moulded Compounded Polyethylene with UV20+ Protection Package
Modular Frame	Hot-Dip Galvanized per ASTM A123 (Optional Stainless Steel Package Available)
Lifting Break Load	Available Upon Request
Foam Fill	Closed Cell Polystyrene Fused In Situ Block with 16 kg/m ³ Density
Colour Options	Standard IALA Colours Available in Accordance with IALA Specification E-108
Fasteners, Bushings and Inserts	Stainless Steel
Mooring and Lifting Attachment Points	Galvanized (Stainless Steel Optional)
Internal Ballast	Concrete (Cast Iron Optional)



Note: actual radar reflector offered may differ from the radar reflector shown in drawings/renderings.

All figures are based on pre production CAD drawings and are rounded values. Moulded features are subject to a +/- 1.5% tolerance.