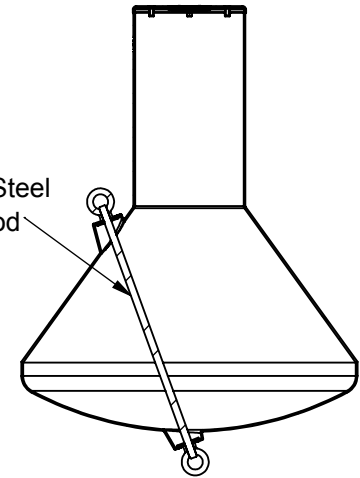


3/4" Stainless Steel
Threaded Rod



SECTION A-A

Notes:

1. Total Displacement Approximately 239 L
2. EPS Foam Filled

PROPRIETARY AND CONFIDENTIAL

THE INFORMATION CONTAINED IN THIS DRAWING IS THE SOLE PROPERTY OF NORTHWEST PLASTICS LTD. ANY REPRODUCTION IN PART OR AS A WHOLE WITHOUT THE WRITTEN PERMISSION OF NORTHWEST PLASTICS LTD IS PROHIBITED.



200 - 1605 Industrial Ave.
Port Coquitlam, BC V3C 6M9
(604) 552-9734

DO NOT SCALE DRAWING

DRAWN BY	DATE
JW	Feb 17, 16

DIMENSIONS ARE IN
MILLIMETERS

TOLERANCES:
+/- 1.5%

TDL 89 LE

SIZE	DWG. NO.
A	120065

SCALE:1:20

SHEET 1 OF 1