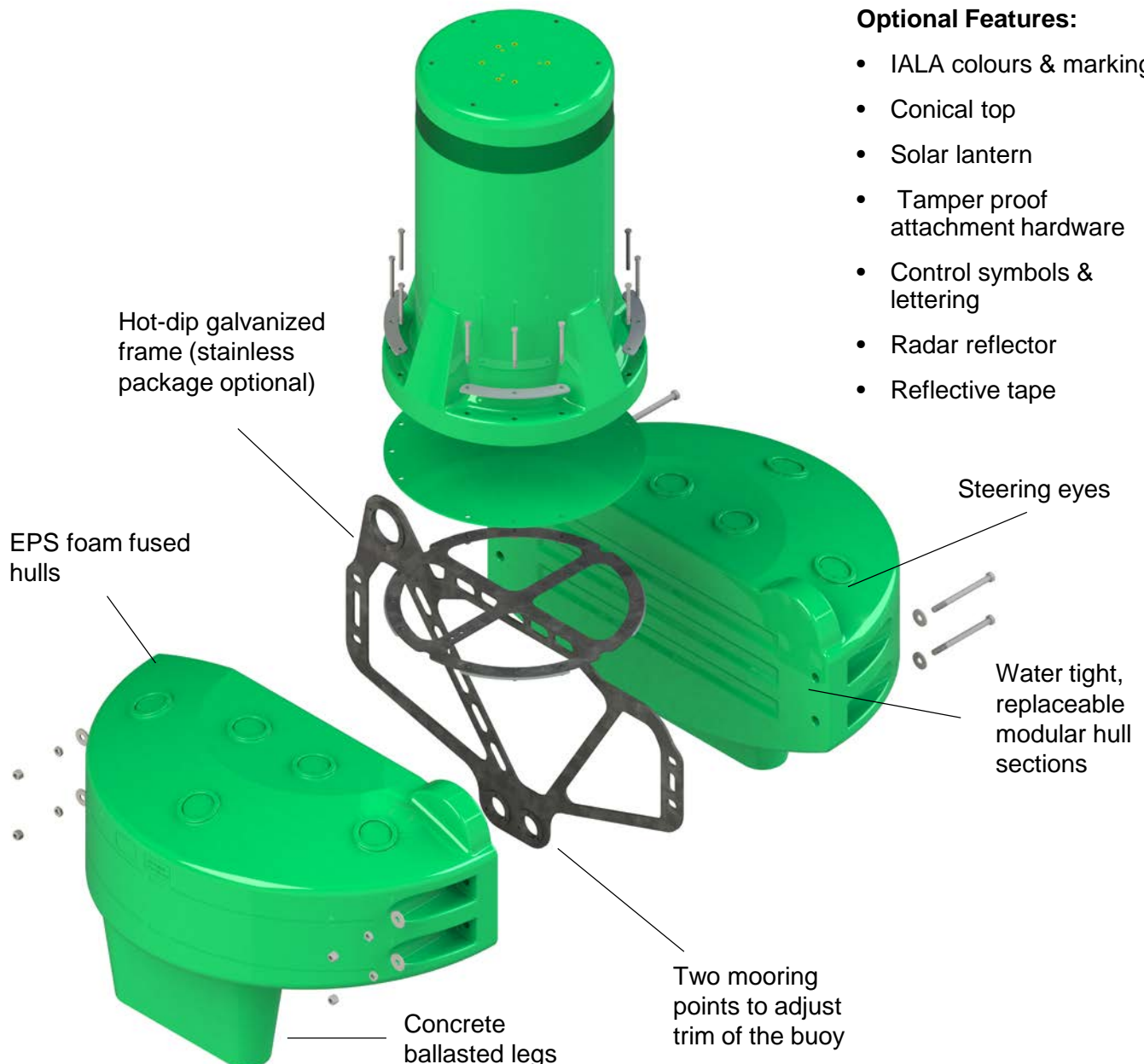


FEATURES & BENEFITS

- Modular construction allows cost-effective replacement of sections when damaged and simplifies end-of-life recycling
- Extremely stable in peak operating conditions
- High quality, UV20+ stabilized polyethylene with uniform wall thickness ensures a robust life expectancy of 20+ years
- Seamless one-piece construction provides a watertight product
- Low temperature impact resistance expands suitability to harsh environments
- Refined EPS foaming process with over 30 years of experience significantly reduces risk of sinking and environmental contamination
- Keel orientation improves ease of shipment and deployment
- Free of internal voids prevents significant water ingress and produces superior structural integrity

Optional Features:

- IALA colours & markings
- Conical top
- Solar lantern
- Tamper proof attachment hardware
- Control symbols & lettering
- Radar reflector
- Reflective tape



Buoy Construction

Hull / Superstructure	Polyethylene
Surface Finish	High Gloss
Foam Fill	16 kg/m ³ Polystyrene
Retroreflective Area	Yes
Optional Radar Reflector	NPL RR20
Life Expectancy	20+ Years
Warranty Period (Extensions available for purchase)	3 Years

General Specifications

Overall Height	221.8 cm / 87.3"
Hull Diameter	149 cm / 58.7"
Tower Section Diameter	60.9 cm / 24"
Air-Weight	287 kg / 632.7 lbs
Operational Reserve Buoyancy	18.3 cm / 309 kg - 7.21" / 681.2 lbs
Mooring Eye Internal Diameter	5.5 cm / 2.2"
Mooring Eye Width	4.5 cm / 1.8"
Lifting Eye Internal Diameter	10.0 cm / 3.9"
Retroreflective Area	15.5 cm / 6.1"
Submergence	16.9 kg/cm - 14.69 lbs/in

Performance Specifications

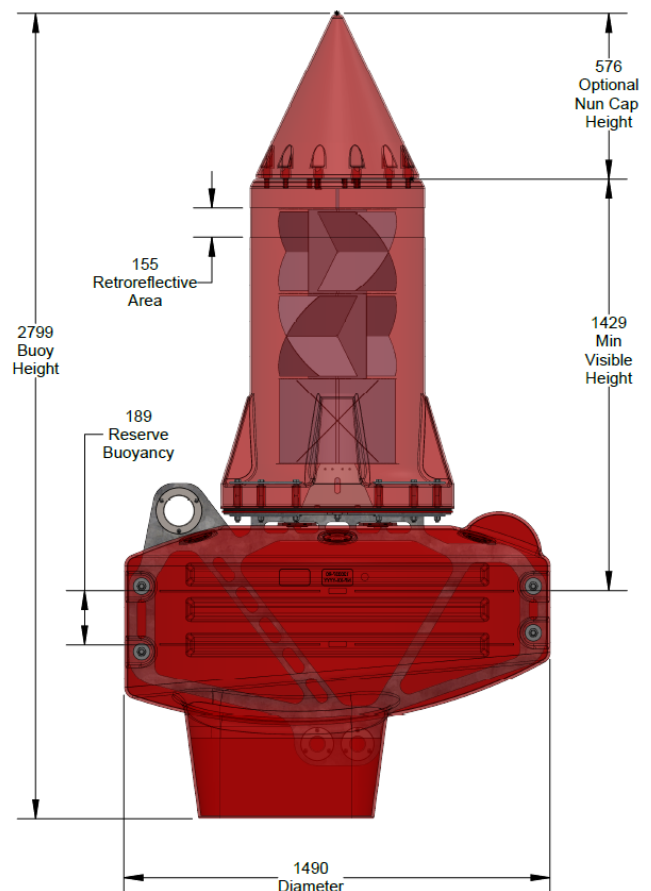
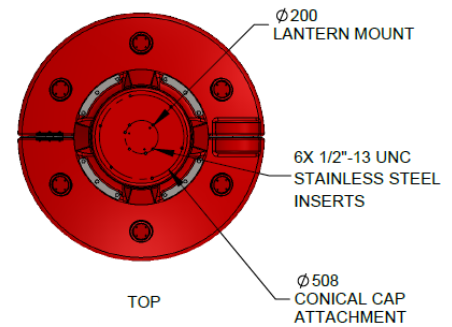
Min Visible Height / Min Focal Plane Height	140.0 cm / 55.1"
Visual Range	5.6 NM
Max Operational Buoy Tilt Angle (10m Depth)	< 3 degrees
Max Operational Buoy Tilt Angle (22.5m Depth)	< 3 degrees
Min Mooring Load	180 kg / 396.8 lbs
Max Mooring Load	540 kg / 1190.5 lbs
Optional Radar Cross Sectional Area	32 m ² / 344.5 sq. ft.

Environmental Conditions

Air Temperature	-2 C / 28.4 F to +50 C / +122 F
Water Temperature	-40 C / -40 F to +40 C / 104 F
Operational Wind Speed	0 to 40 knots
Survival Wind Speed	80 knots
Operational Current Speed	0 - 2.0 knots
Survival Current Speed	10.0 knots
Exposure to Ice	Light

Material Specifications

Buoy Shell	Rotationally Moulded Compounded Polyethylene with UV20+ Protection Package
Modular Frame	Hot-Dip Galvanized per ASTM A123 (Optional Stainless Steel Package Available)
Lifting Break Load	21,772 kg / 48,000 lbs
Foam Fill	Closed Cell Polystyrene Fused In Situ Block with 16 kg/m ³ Density
Colour Options	Standard IALA Colours Available in Accordance with IALA Specification E-108
Fasteners, Bushings and Inserts	Stainless Steel
Mooring and Lifting Attachment Points	Stainless Steel
Internal Ballast	Concrete



Note: actual radar reflector may differ from the radar reflector used in the rendering.

All figures are based on pre production CAD drawings and are rounded values. Moulded features are subject to a +/- 1.5% tolerance.