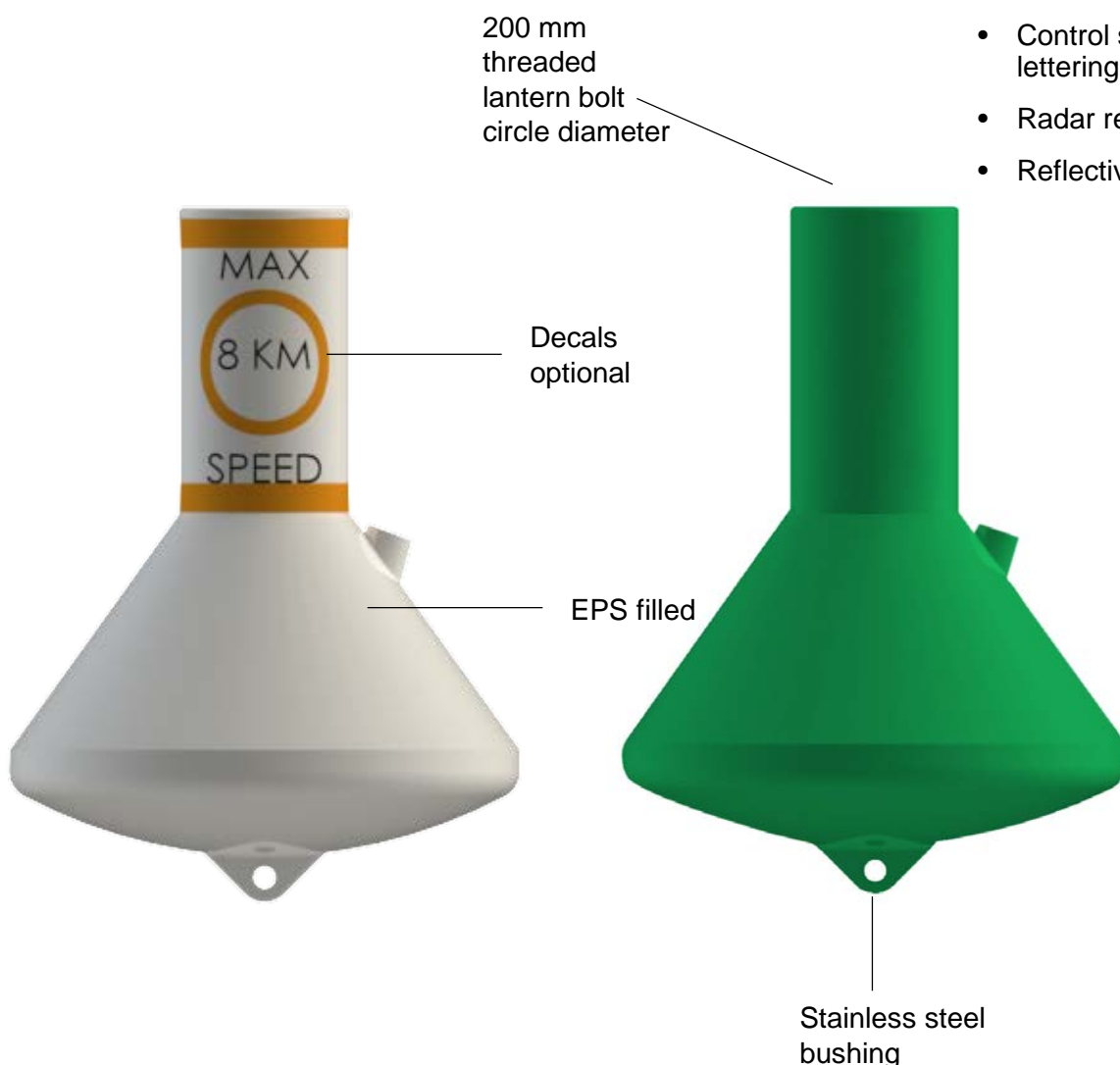


FEATURES & BENEFITS

- Designed to meet the stringent requirements of the Canadian Coast Guard
- High quality, UV20+ stabilized polyethylene with uniform wall thickness ensures a robust life expectancy of 20+ years
- Superior stability in high current
- Seamless one-piece construction provides a watertight product
- Low temperature impact resistance expands suitability for harsh environments
- Refined EPS foaming process with over 30 years of experience significantly reduces risk of sinking and environmental contamination
- Free of internal voids prevents significant water ingress and produces superior structural integrity
- Two versions – bushing eye and lifting eye for various requirements

Optional Features:

- IALA colours & markings
- Conical top
- Solar lantern
- Control symbols & lettering
- Radar reflector
- Reflective tape



Buoy Construction

Hull	Polyethylene
Surface Finish	High Gloss
Foam Fill	16 kg/m ³ Polystyrene
Retroreflective Area	Yes
Optional Radar Reflector	NPL RR02
Life Expectancy	20+ Years
Warranty Period (Extensions available for purchase)	3 Years

General Specifications

Overall Height	121 cm / 48"
Hull Diameter	89 cm / 35"
Tower Section Diameter	29.6 cm / 11.7"
Air-Weight	BE - 18 kg / 40 lbs LE - 22 kg / 48 lbs
Operational Reserve Buoyancy	73 kg / 160.9 lbs - 14 cm / 5.5 in
Mooring Bushing Eye Internal Diameter	BE Only - 3.175 cm / 1.25"
Mooring Bushing Eye Width	BE Only - 3.8 cm / 1.5"
Mooring Eye Internal Diameter	LE Only - 4 cm / 1.6"
Lifting Eye Internal Diameter	LE Only - 4 cm / 1.6"
Retroreflective Area	63 cm / 24.8 in

Performance Specifications

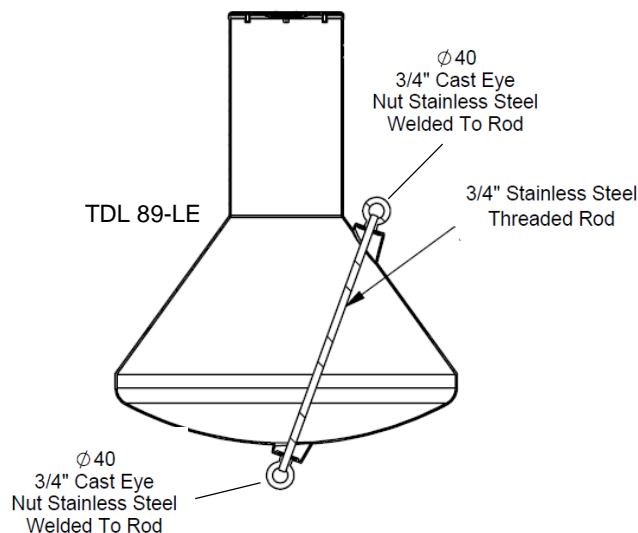
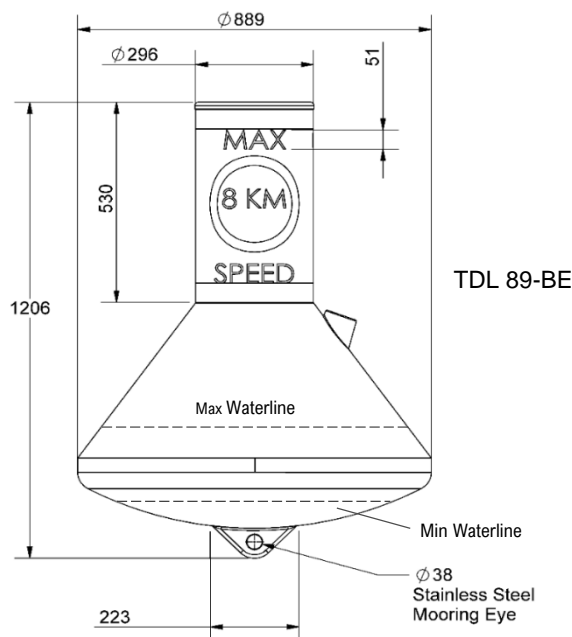
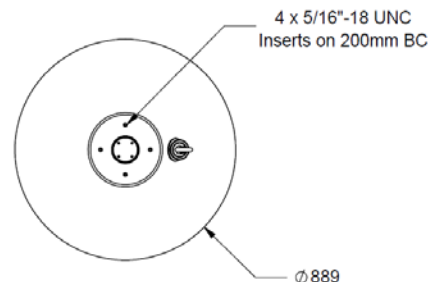
Min Visible Height / Min Focal Plane Height	53.3 cm / 21"
Visual Range	n/a
Max Operational Buoy Tilt Angle (10m Depth)	High Stability
Max Operational Buoy Tilt Angle (22.5m Depth)	High Stability
Min Mooring Load	12 kg / 26.5 lbs
Max Mooring Load	85 kg / 187.4 lbs
Optional Radar Cross Sectional Area	2 m ² / 21.5 sq. ft.

Environmental Conditions

Air Temperature	-2 C / 28.4 F to +50 C / +122 F
Water Temperature	-40 C / -40 F to +40 C / 104 F

Material Specifications

Buoy Shell	Rotationally Moulded Compounded Polyethylene with UV20+ Protection Package
Load Bearing Internal Linking the Mooring Eye to the Lifting Eye	LE Only - Stainless Steel
Lifting Break Load	LE Only - Upon Request
Foam Fill	Closed Cell Polystyrene Fused In Situ Block with 16 kg/m ³ Density
Colour Options	Standard IALA Colours Available in Accordance with IALA Specification E-108
Fasteners, Bushings and Inserts	Stainless Steel Bushings / Brass Inserts
Mooring and Lifting Attachment Points	Stainless Steel
Internal Ballast	Optional



All figures are based on pre production CAD drawings and are rounded values. Moulded features are subject to a +/- 1.5% tolerance.