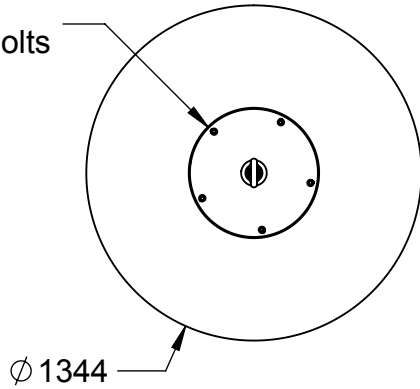
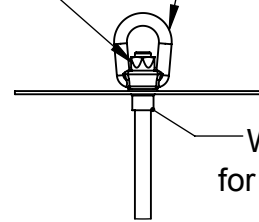


Ø 508
Load Plate
Fastened With 5 Bolts
Both Ends



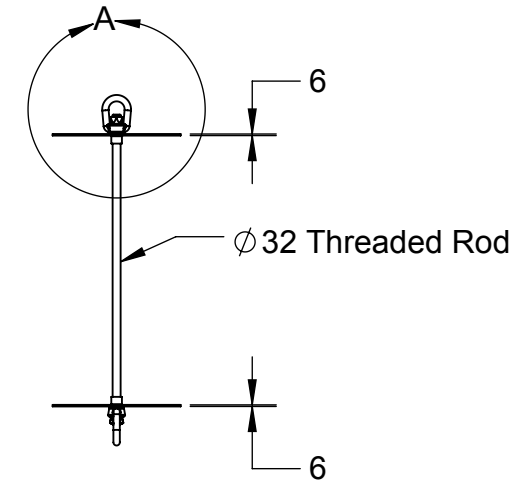
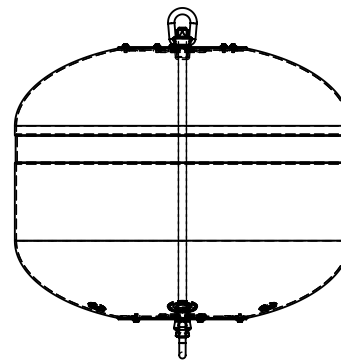
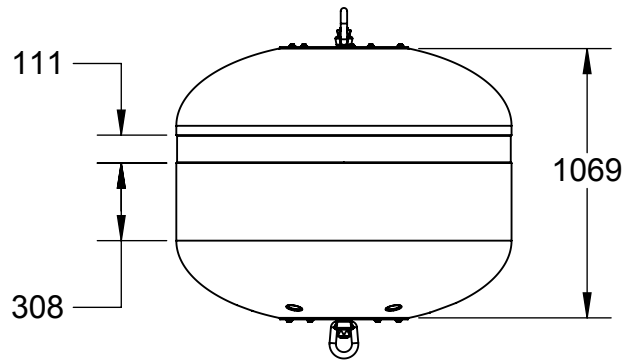
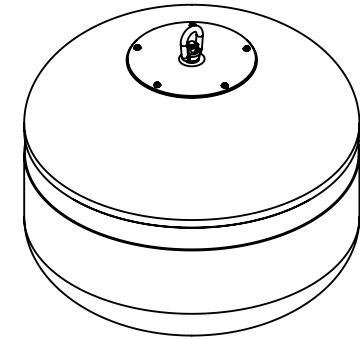
Locking Nut
Welded In Place
Both Ends

#10 Swivel Eye Nut
Both Ends



Welded Sleeve
for Increased Wear
Resistance

DETAIL A
SCALE 1 : 15



Notes:

1. Total Displacement Approximately 1200 L
2. EPS Foam Filled

PROPRIETARY AND CONFIDENTIAL

THE INFORMATION CONTAINED IN THIS DRAWING IS THE SOLE PROPERTY OF NORTHWEST PLASTICS LTD. ANY REPRODUCTION IN PART OR AS A WHOLE WITHOUT THE WRITTEN PERMISSION OF NORTHWEST PLASTICS LTD IS PROHIBITED.



200 - 1605 Industrial Ave.
Port Coquitlam, BC V3C 6M9
(604) 552-9734

DO NOT SCALE DRAWING

DRAWN BY	DATE
TK	08/22/16

DIMENSIONS ARE IN
MILLIMETERS

TOLERANCES:
+/- 1.5%

CB 1200 STANDARD ASSEMBLY

SIZE	DWG. NO.
A	TK-016-001

SCALE:1:30

SHEET 1 OF 1