

FEATURES & BENEFITS

- High strength galvanized steel hardware with a tested safe working load of 15,000 lbs / 6,804 kg providing superior strength and corrosion resistance
- Highest quality UV stabilized seamless one-piece construction with uniform wall thickness ensures a robust life expectancy to 15+ years
- Large diameter load plates secured to the shell for maximum load disbursement
- Refined EPS foaming process with over 20 years of experience significantly reduces risk of sinking and environmental contamination
- Swivel eyes prevent twisting and moderate strain on the tackle
- Indented area for retro-reflective tape inhibits sliding and loss of reflective material
- 3M™ Flexible Prismatic Reflective 4" wide yellow tape applied as standard

GENERAL SPECIFICATIONS

Diameter	52 ½" / 1344 mm
Wall Thickness	¼" / 6 mm
Overall Height	53" / 1069 mm
Air Weight	215 lbs / 98 kg
Net Buoyancy	2855 lbs / 1,295 kg

MATERIAL SPECIFICATIONS

POLYETHYLENE

Virgin PE material with a UV 15 inhibitor

COLOUR

Comes in standard yellow

EPS FOAM

1 lb/ft.³ / 16 kg/m³ density closed cell EPS

STAINLESS STEEL

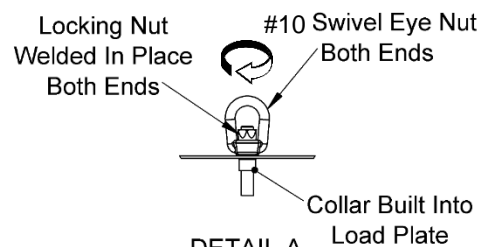
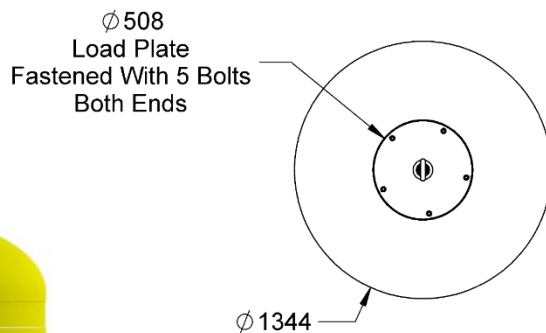
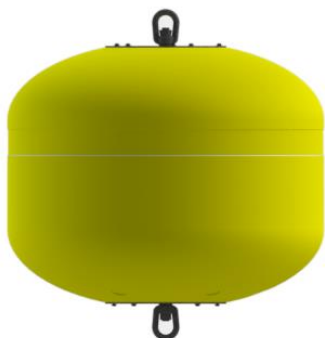
Inserts are made with a minimum rating of 18-8 stainless steel

GALVANIZED STEEL

Internal components are hot-dipped galvanized

AVAILABLE OPTIONS

- Reflective Banding
- Custom Colours



DETAIL A
SCALE 1 : 15

